



CIVILS

LANDSCAPING

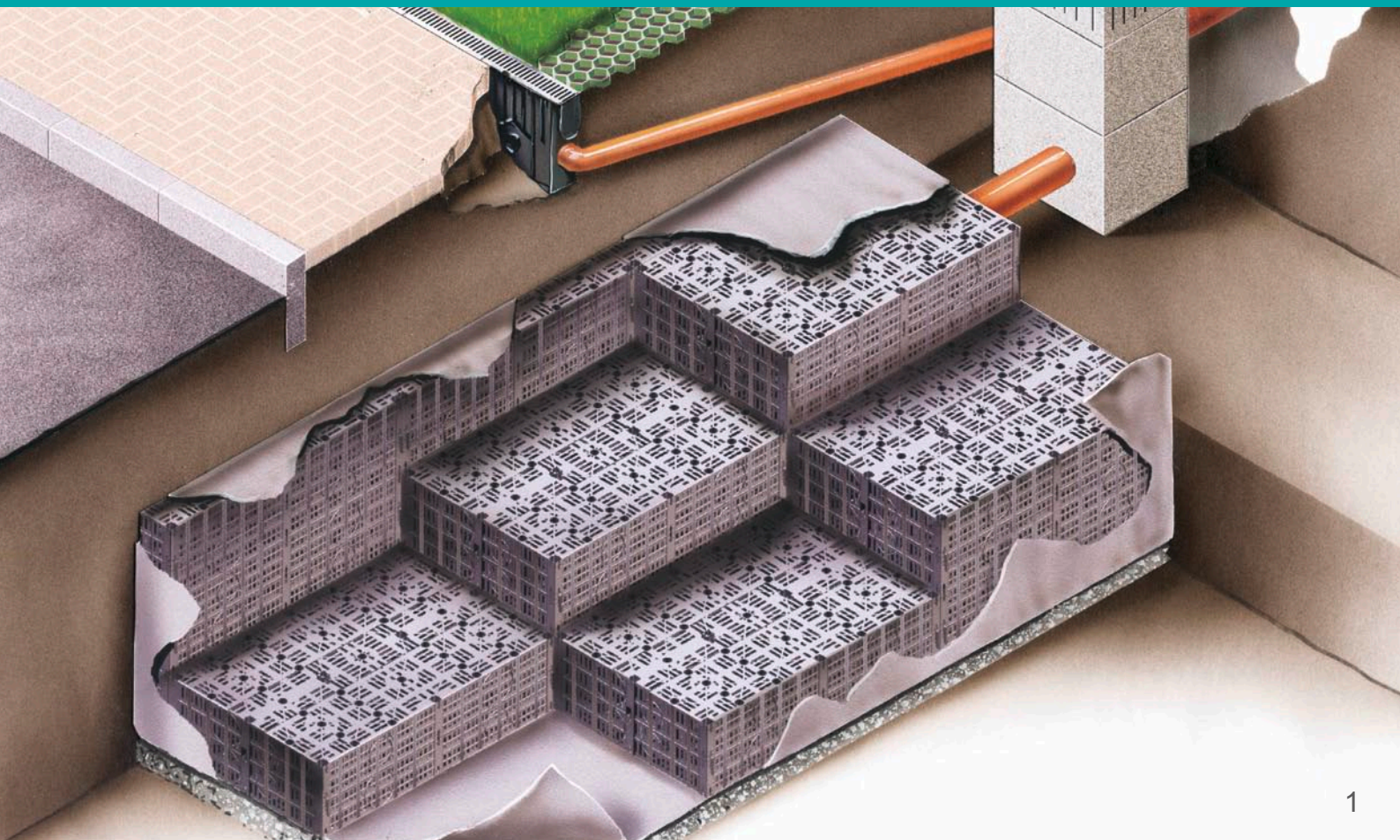
AQUA

SPORT

AQUA

THE RANGE FOR INFILTRATION SOLUTION

 **hauraton**
IT'S RUNNING WELL



THE RANGE FOR INFILTRATION SOLUTION

EFFECTIVE INFILTRATION SYSTEMS SUPPORT THE NATURAL WATER CYCLE AND PROVIDE SUSTAINABLE SUPPORT FOR VITAL RESOURCES.

Water is one of the most valuable resources on earth. Water means life. However, in densely populated countries the natural water cycle is significantly affected by ground surfaces being sealed off. Natural infiltration of rainwater is reduced more and more, resulting in the ground-water level sinking and ground drying out.

In order to counteract these developments we require systems that store rainwater at the place of precipitation and then release it gradually back into the natural cycle. With our infiltration products we offer an intelligent way of achieving this. The HAURATON storage elements are suitable for installation underneath traffic areas in trading and housing estates as well as under drives with passenger car usage in private residential areas. The areas above the system remain usable.

HAURATON supports the design team by providing calculations for the sizing of the infiltration system and construction details, ensuring long-term functionality of the installation. With the help of our expert knowledge and advice for installation and servicing, contractors find it easy to deliver perfect results.

HAURATON works in accordance with the regulations for infiltration systems and offers customers a service based on the latest state of technology.



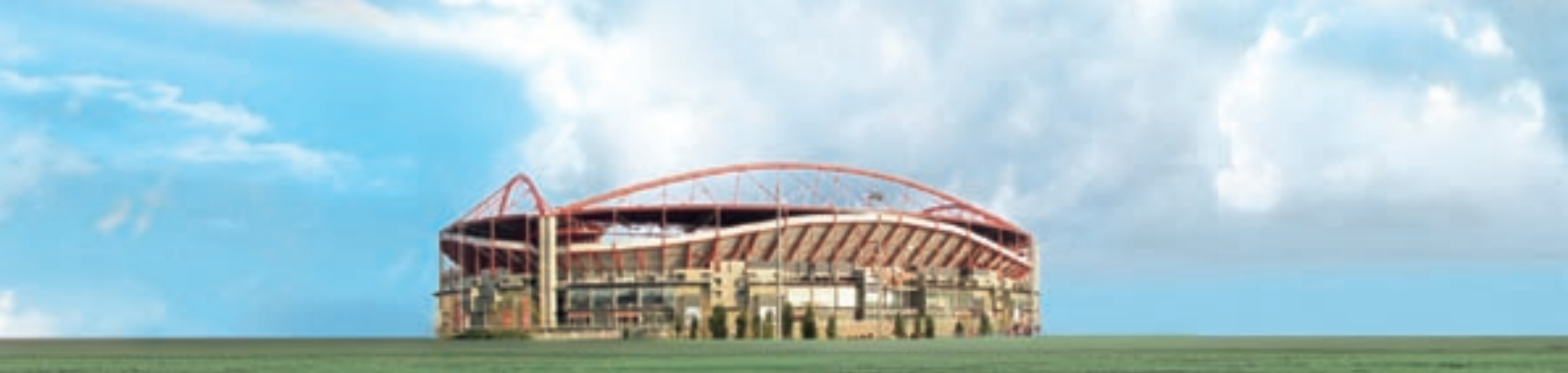
THE HAURATON DESIGNER PACKAGE



DRAINFIX®BLOC
STABLE, SAFE AND EXTREMELY STRONG



DRAINFIX®TWIN
HIGH VOLUME IN THE SMALLEST SPACE



CIVILS

LANDSCAPING

AQUA

SPORT

SPORT

THE RANGE FOR SPORTS FACILITIES

 **hauraton**
IT'S RUNNING WELL



THE RANGE FOR SPORTS FACILITIES

MODERN BUILDING PRODUCTS SPECIALLY DESIGNED FOR SPORTS FACILITIES

Modern sports arenas in Germany enjoy an excellent reputation throughout the world. The FIFA World Cup 2006 as well as other internationally important competitions in our country have demonstrated that our stadiums offer ideal conditions for athletes as well as spectators.

But it is not only in Germany where HAURATON has supplied products for reliable surface drainage - the company's products have gone into other sports arenas with world-class sporting events, such as the Summer Olympics 2004 in Athens or the European Football Cup 2004 in Portugal. Our specially designed product range for sports facilities is evidence of our extensive competence in this field and has not failed to impress designers, engineers, clients and contractors alike.

Our range of products has been developed especially for the requirements of sports facilities. The products made from RECYFIX recycled PE-PP or FASERFIX concrete ensure excellent drainage and thus help in preventing accidental injuries to athletes. Contractors like the products because they are easy and efficient to install, allowing contracts to be finished within budget and on time. HAURATON supports engineers and architects with project-specific specification proposals and expert technical advice from the initial survey through to completion.

SPORTFIX products by HAURATON have been developed in accordance with the requirements of the different World Sporting Associations and will be continually updated to meet current standards.



THE HAURATON DESIGNER PACKAGE



SPORTFIX®

PERFECT DRAINAGE - SAFE PAST THE POST

SPORTFIX® CHANNELS

SPORTFIX® FIXING FOR ARTIFICIAL TURF

SPORTFIX® SOFT KERBS

SPORTFIX® SAND TRAPS

SPORTFIX® WATER JUMP KIT

SPORTFIX® TURF EDGING PLATE

SPORTFIX® DISH CHANNELS

SPORTFIX® DISTRIBUTION SHAFTS

THE HAURATON DESIGNER PACKAGE

HAURATON DEVELOPS INNOVATIVE PRODUCTS AND SUPPORTS ARCHITECTS AND ENGINEERS IN THE DESIGN AND IMPLEMENTATION OF SPORTS FACILITIES.

INDIVIDUAL DESIGN SUPPORT

You can contact our field sales staff at any time they are able to offer expert and qualified advice. On request we will produce CAD-based installation plans for you. We are happy to work out solution proposals for your specific drainage requirements. We are also experienced in designing solutions for rehabilitation projects.

PROPOSED TENDER PROPOSALS

We are happy to work out project-specific tender proposals for your building project based on detailed information obtained about your building site. Why not give us a call!

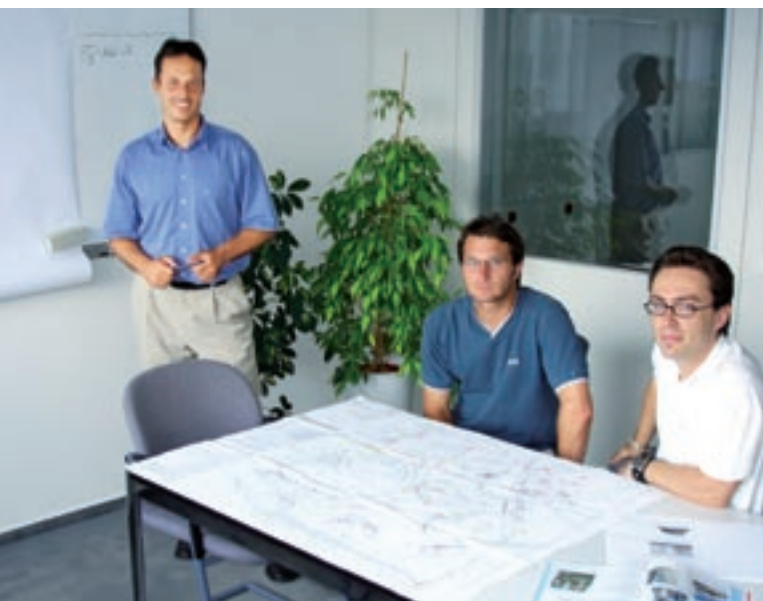
INSTALLATION INSTRUCTIONS

General installation instructions are available for all products in the HAURATON sport range. These instructions will be supplied with all deliveries but we are also happy to send out separate copies.

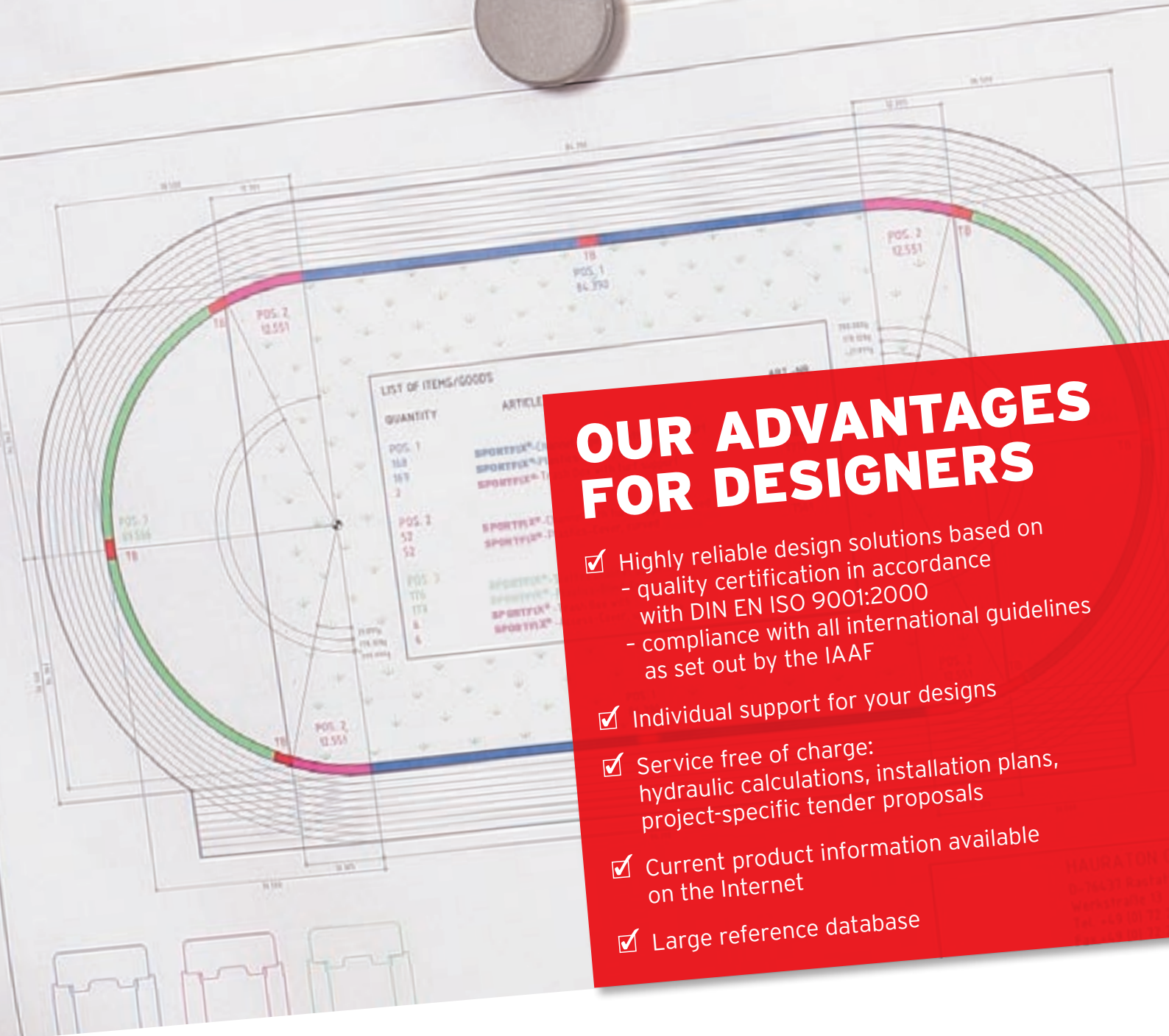
FASERFIX SUPER CHANNELS, RECYFIX CHANNELS

FASERFIX SUPER channels and RECYFIX channels are the perfect solution for draining grandstands and external works. FASERFIX SUPER channels are available in nominal widths from 100 to 500 mm and RECYFIX channels from 100 to 300 mm. Gratings are available in various designs and materials to qualify for different load classes in accordance with EN 1433.

For more information please refer to our catalogues **CIVILS** and **LANDSCAPING**.



Our members of staff will be pleased to pay you a visit at your office or on site to provide expert advice.



OUR ADVANTAGES FOR DESIGNERS

- ✓ Highly reliable design solutions based on
 - quality certification in accordance with DIN EN ISO 9001:2000
 - compliance with all international guidelines as set out by the IAAF
- ✓ Individual support for your designs
- ✓ Service free of charge:
 - hydraulic calculations, installation plans, project-specific tender proposals
- ✓ Current product information available on the Internet
- ✓ Large reference database

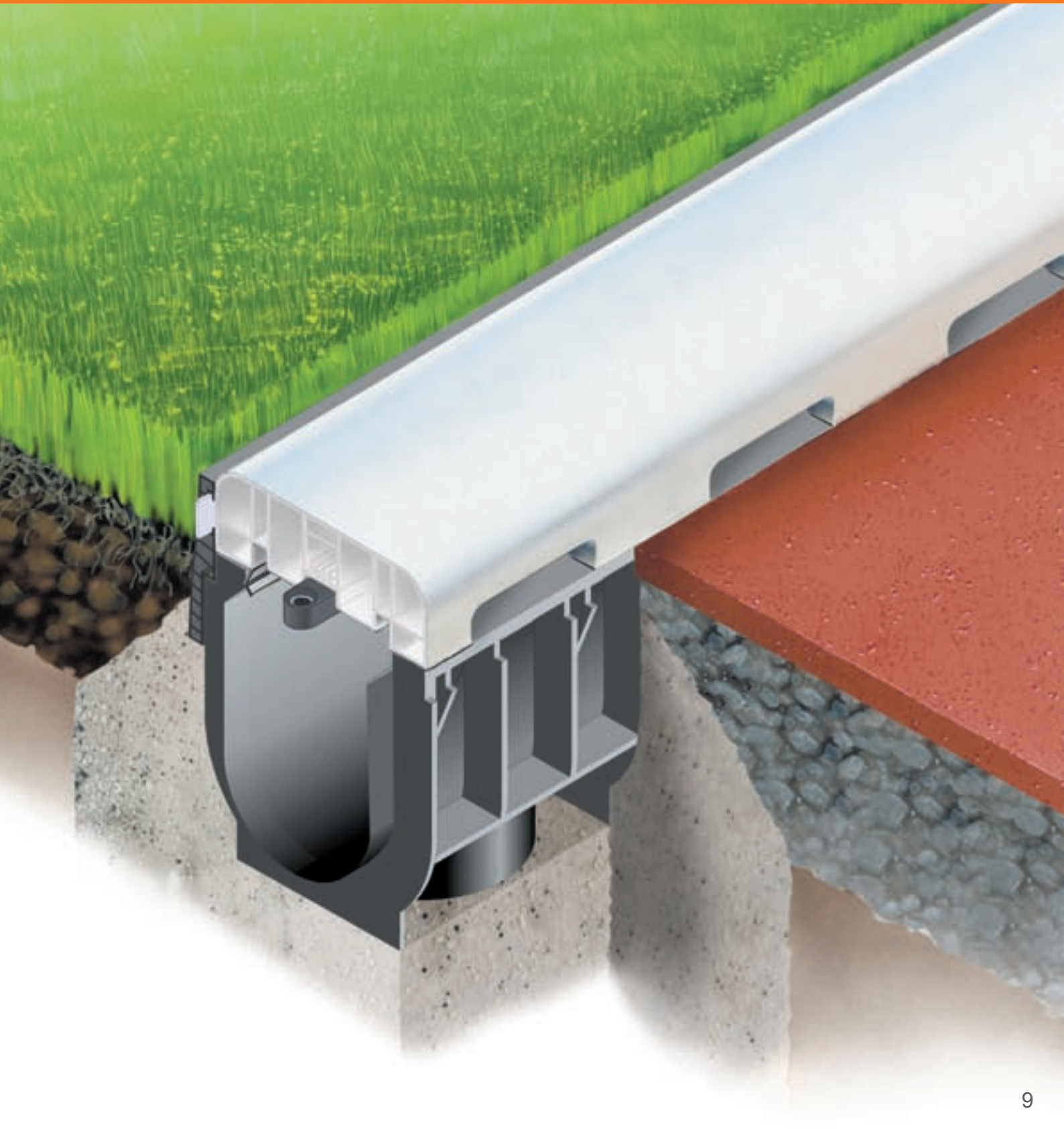


FASERFIX SUPER KS 100 Channels in front of the Estádio Da Luz in Lisbon

SPORTFIX®

PERFECT DRAINAGE - SAFE PAST THE POST.

THE COMPREHENSIVE PRODUCT RANGE FOR ALL SPORTS FACILITIES.



AT A GLANCE

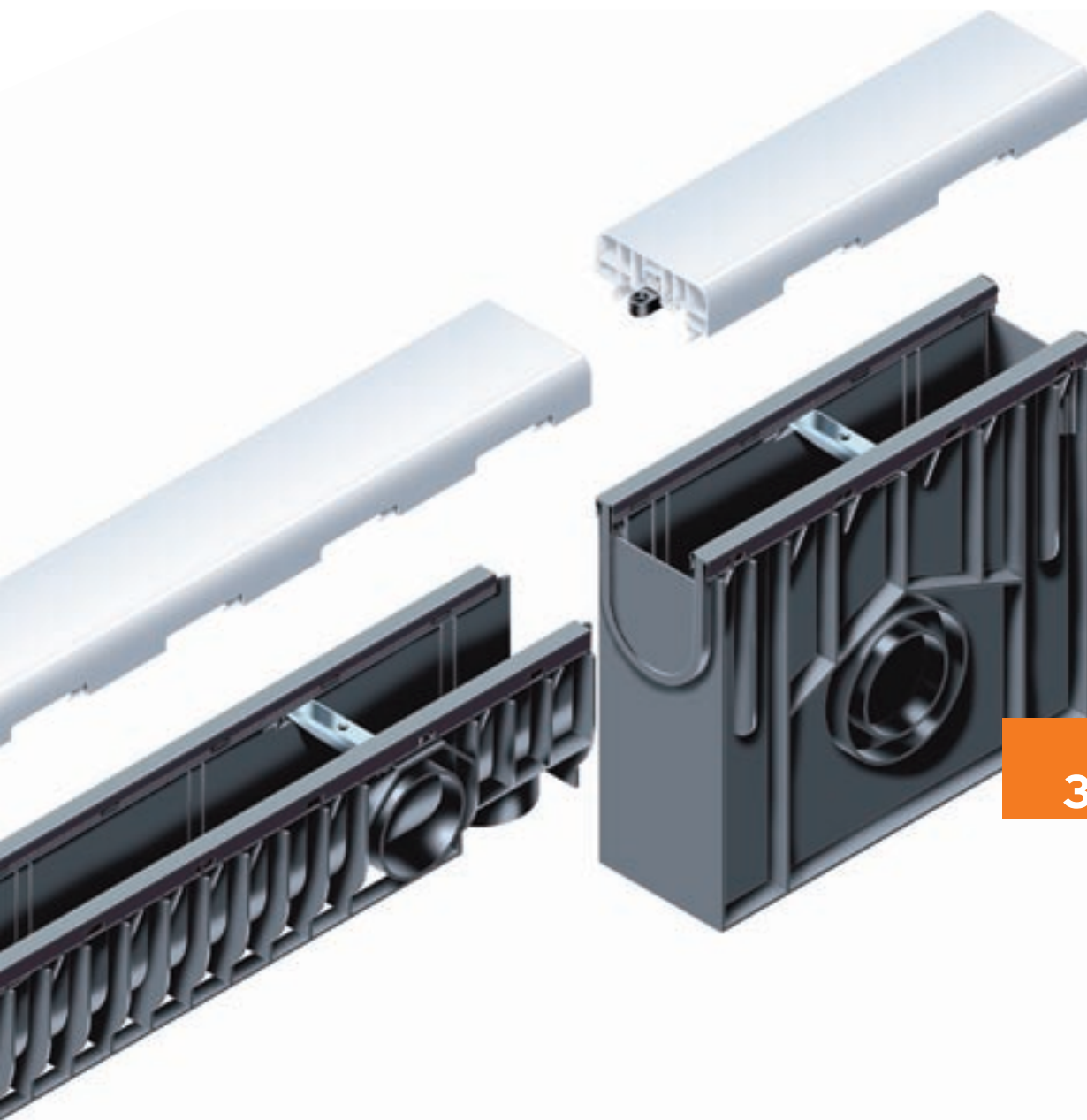
- ✓ Comprehensive product range for sports facilities
- ✓ Channels made from recycled PE-PP
- ✓ A number of options for draining surfaces and tracks
- ✓ Products meet international standards

SPORTFIX®

PERFECT DRAINAGE - SAFE PAST THE POST.

THE COMPREHENSIVE PRODUCT RANGE FOR ALL SPORTS FACILITIES.





MATERIAL

SPORTFIX channels and trash boxes are manufactured from 100% recycled PE-PP which makes them light-weight and easy to install. The material is highly durable, UV-stabilised, environmentally neutral and impervious to liquids. Steel frames are incorporated at the top of the channels and ensure that covers/gratings are securely locked to the base. The steel frame also provides a permanent joint between track surface and channel.

SPORTFIX slotted channels are supplied with slotted covers made from dip coated steel. The inlet slots of SPORTFIX Super slotted channels consist of EPDM inserts that are initially closed. After the surfacing of the track has been applied, these inserts can be opened very easily.

1

■ Channels made of PE-PP, with tongue and groove connection for exact installation, with integrated, KTL-coated steel angle housing. Also available as slotted channel

2

■ SPORTFIX®Cover made of UV-resistant, unbreakable plastic, both-sided inlet, with fixing feather

3

■ Trash box with pipe-connection possibility DN 100/150

SPORTFIX®

PERFECT DRAINAGE - SAFE PAST THE POST.

THE COMPREHENSIVE PRODUCT RANGE FOR ALL SPORTS FACILITIES.

REQUIREMENTS

On sports fields and sports arenas it is mandatory that surface water is drained away quickly and reliably. Drainage channels used for this purpose have to comply with current standards as well as meet the IAAF requirements. Sports facilities should be designed and equipped to ensure that athletes do not sustain serious injuries during falls or accidents.

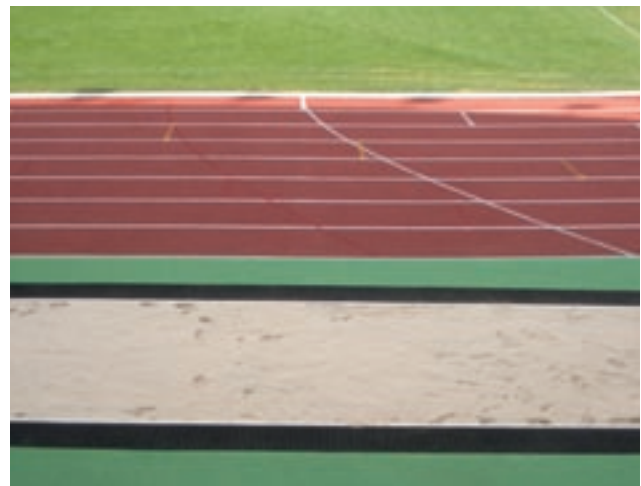


SOLUTION

The SPORTFIX range offers products that meet these requirements, e.g. drainage channels made from 100 % recycled PE-PP, soft kerbs with elastic rubber padding, sand traps, water jump kits and distribution boxes.

APPLICATION AREAS

- sports grounds with elastic layer running tracks
- sports grounds with artificial turf surfaces
- hockey fields
- jump pits
- water ditches
- small playgrounds
- tennis courts
- playgrounds and playing fields
- swimming pools





SPORTFIX slotted channel in the Estádio da Luz



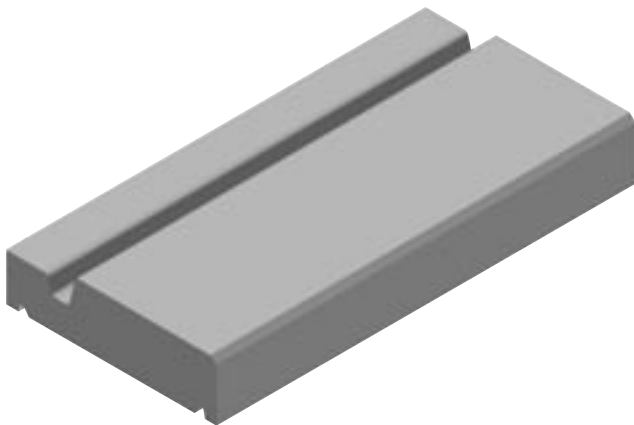
BESPOKE SOLUTIONS

Estádio da Luz, Lisbon, Portugal: slotted channel with raised turf edge for barrier-free transition to the pitch.

In the stadium which is the home of the famous football club Benfica Lisbon and where the final match of the European Cup 2004 took place, the whole inside was drained using HAURATON SPORTFIX channels. All transitions to the pitch had to be visually unobtrusive and barrier-free - that was the briefing by the design team. The solution was provided by a SPORTFIX channel designed and manufactured with a turf edge that matches the height of the adjacent green drainage mats exactly. The product provides a neat separation of the pitch from the surrounding tracks and yet is nearly invisible. And at the same time, surface water is reliably drained away.

SPORTFIX dish channel with seepage groove for tear-free connection of elastic layer surface finishes.

SPORTFIX dish channels are simple but effective drainage products. A new version of the SPORTFIX dish channel was designed for a project in "Weißkeiβel" in Saxony where an elastic layer sports surface had to be installed: the additional locking groove now ensures that the elastic layer surface material is connected without the risk of tearing. Simple, economical and very effective.



SPORTFIX dish channel with locking groove for tear-free connection of plastic surface finishes.



Sports ground "Weißkeiβel"